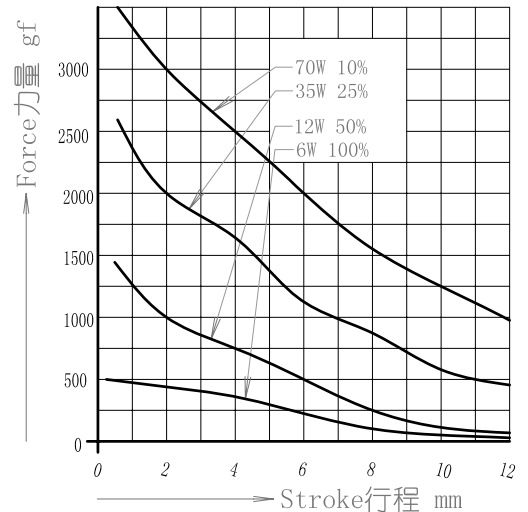
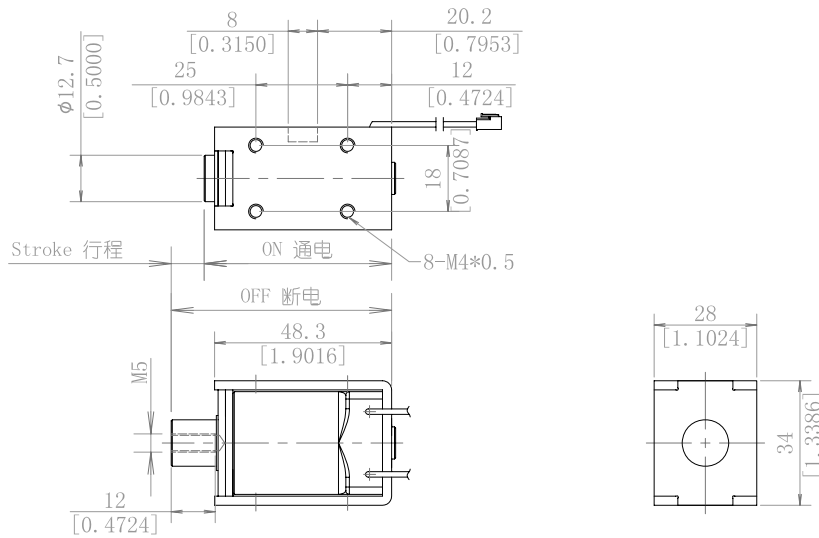


Unit =  $\frac{\text{mm}}{[\text{inch}]}$



Duty cycle 负载周期=100% × $\frac{\text{On Time 通电时间}}{\text{On Time 通电时间} + \text{Off Time 断电时间}}$	100%	50%	25%	10%
	Continuous 连续通电	Intermittent 间歇通电		
Max On time/S 最长通电时间/秒	∞	140	50	9
Power 功率 (20°C)	6	12	35	70
Part Number 产品型号 (** : Resistance 线圈直流电阻)	DC Resistance 线圈直流电阻 (Ω, 20°C)			
SDO-1348L-6A**	9	4.5	2.25	
SDO-1348L-12A**	36	18	9	3.6
SDO-1348L-24A**	144	72	36	14.4
SDO-1348L-48A**	576	288	144	57.6

Shenzhen Zanty Electronics Co.,Ltd.

Add: C2&A2 building, Jihua Industry District, Buji Town, Shenzhen, China P.C.: 518112

Tel.: (+86 755) 2854 3752

Fax: (+86 755) 2854 3458

E-mail: Sales@Zanty.com

Website: www.zanty.com