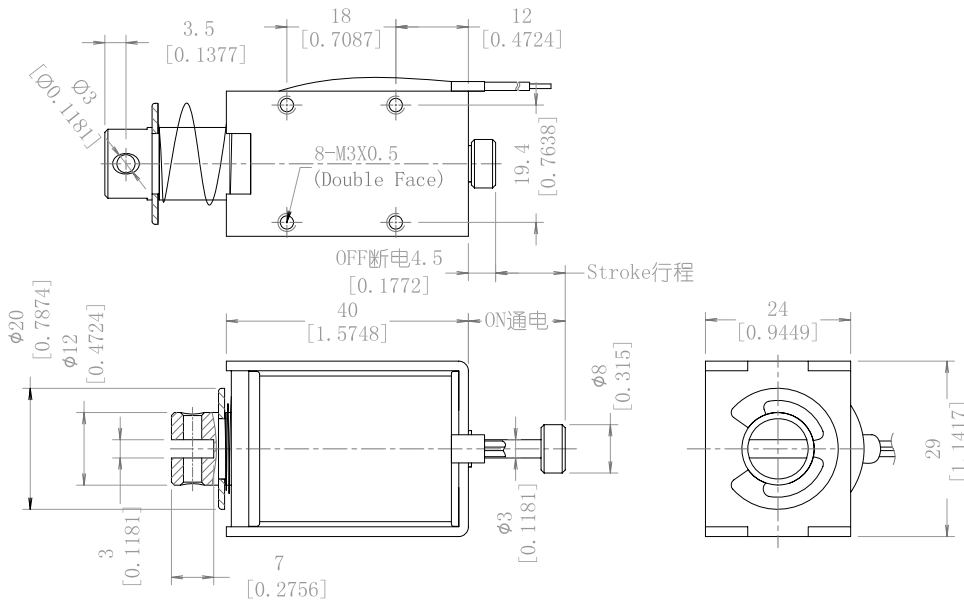
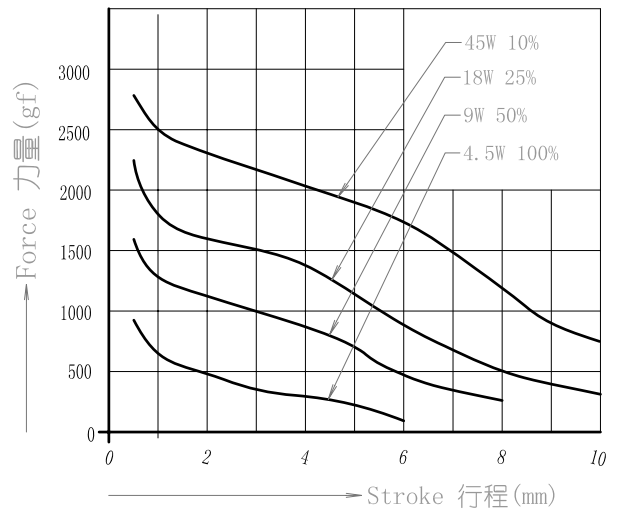


Unit = $\frac{\text{mm}}{\text{inch}}$



Total weight 总重量 : 150g
Plunger weight 滑杆重量: 30g



Duty cycle负载周期=100% × $\frac{\text{On Time通电时间}}{\text{On Time通电时间}+\text{Off Time断电时间}}$	100%	50%	25%	10%
	Continuous 连续通电	Intermittent 间歇通电		
Max On time/S 最长通电时间/秒	∞	140	50	9
Power 功率 (20℃)	4.5	9	18	45
Part Number 产品型号(** : Resistance 电阻)	DC Resistance 线圈直流电阻 (Ω, 20℃)			
SD0-1240S-6A**	8	4	2	0.8
SD0-1240S-12A**	32	16	8	3.2
SD0-1240S-24A**	128	64	32	12.8
SD0-1240S-48A**	512	256	128	51.2

Shenzhen Zanty Electronics Co.,Ltd.

Add:C2&A2 building, Jihua Industry District,Buji Town,Shenzhen,China P.C.:518112

Tel.:(+86 755)2854 3752

Fax:(+86 755)2854 3458

E-mail: Sales@Zanty.com

Website: www.zanty.com