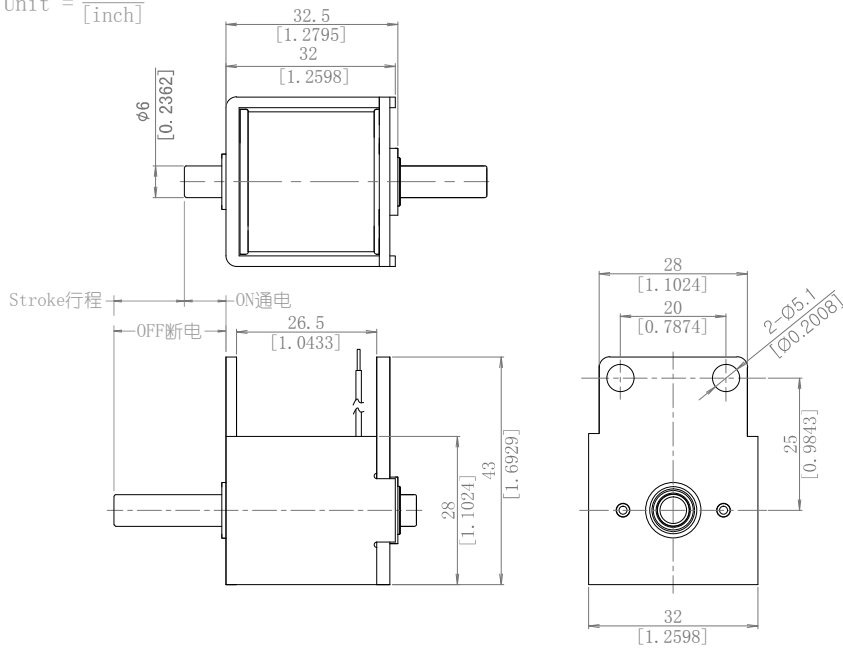
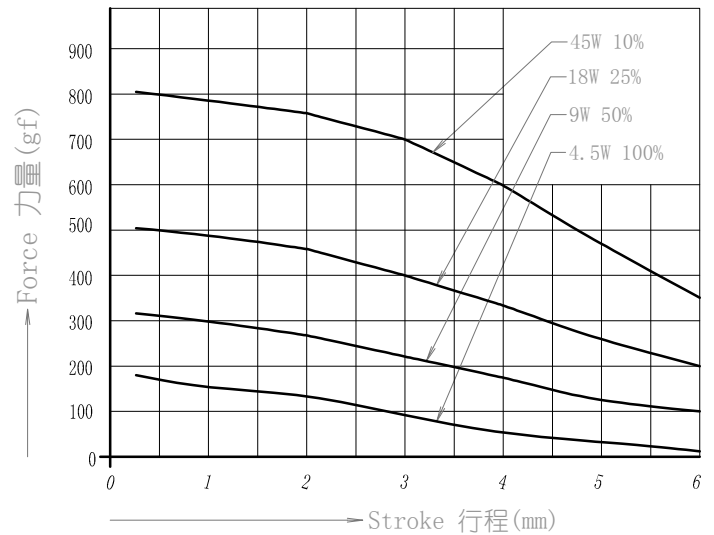


Unit = $\frac{\text{mm}}{[\text{inch}]}$



Total weight 总重量 : 120g
Plunger weight 滑杆重量: 10g



Duty cycle 负载周期 = $100\% \times \frac{\text{On Time 通电时间}}{\text{On Time 通电时间} + \text{Off Time 断电时间}}$	100%	50%	25%	10%
	Continuous 连续通电	Intermittent 间歇通电		
Max On time/S 最长通电时间/秒	∞	140	50	9
Power 功率 (20°C)	4.5	9	18	45
Part Number 产品型号 (** : Resistance 电阻)	DC Resistance 线圈直流电阻 (Ω , 20°C)			
SD0-1230S-6A**	8	4	2	0.8
SD0-1230S-12A**	32	16	8	3.2
SD0-1230S-24A**	128	64	32	12.8
SD0-1230S-48A**	512	256	128	51.2

Shenzhen Zanty Electronics Co.,Ltd.

Add: C2&A2 building, Jihua Industry District, Buji Town, Shenzhen, China P.C.: 518112

Tel.: (+86 755) 2854 3752

Fax: (+86 755) 2854 3458

E-mail: Sales@Zanty.com

Website: www.zanty.com