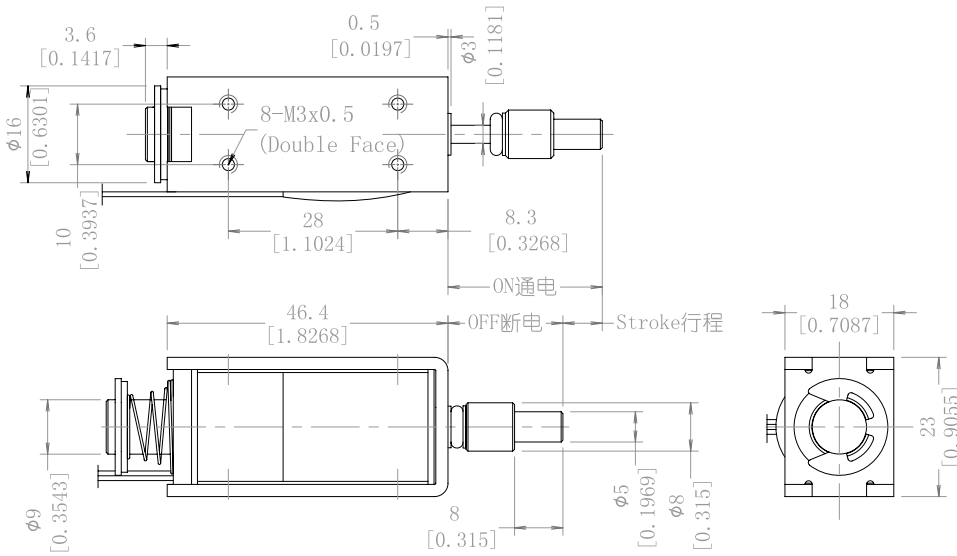
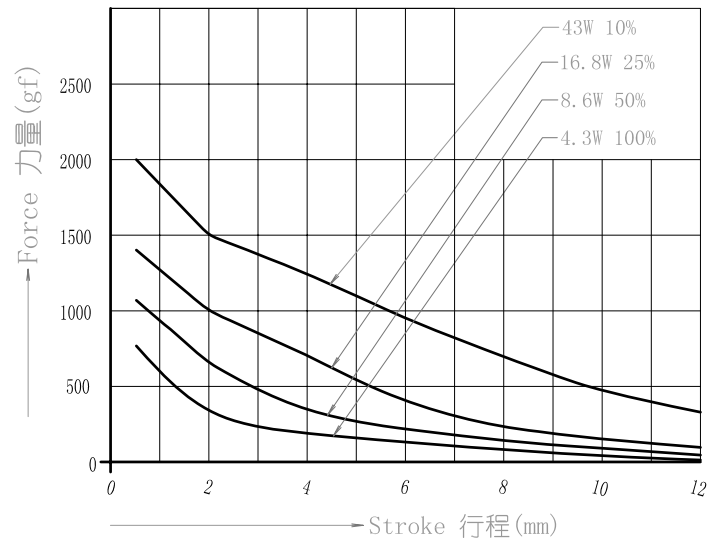


Unit = $\frac{\text{mm}}{\text{inch}}$



Total weight 总重量 : 100g
Plunger weight 滑杆重量: 25g



Duty cycle 负载周期 = $100\% \times \frac{\text{On Time 通电时间}}{\text{On Time 通电时间} + \text{Off Time 断电时间}}$	100%	50%	25%	10%
	Continuous 连续通电	Intermittent 间歇通电		
Max On time/S 最长通电时间/秒	∞	80	30	6
Power 功率 (20°C)	4.3	8.6	16.8	43
Part Number 产品型号 (** : Resistance 电阻)	DC Resistance 线圈直流电阻 (Ω , 20°C)			
SD0-0946S-6A**	8.4	4.2	2.14	0.84
SD0-0946S-12A**	33.5	16.8	8.6	3.35
SD0-0946S-24A**	134	67	34.3	13.4
SD0-0946S-48A**	536	134	68.6	26.8

Shenzhen Zanty Electronics Co., Ltd.

Add: C2&A2 building, Jihua Industry District, Buji Town, Shenzhen, China P.C.: 518112

Tel.: (+86 755) 2854 3752

Fax: (+86 755) 2854 3458

E-mail: Sales@Zanty.com

Website: www.zanty.com