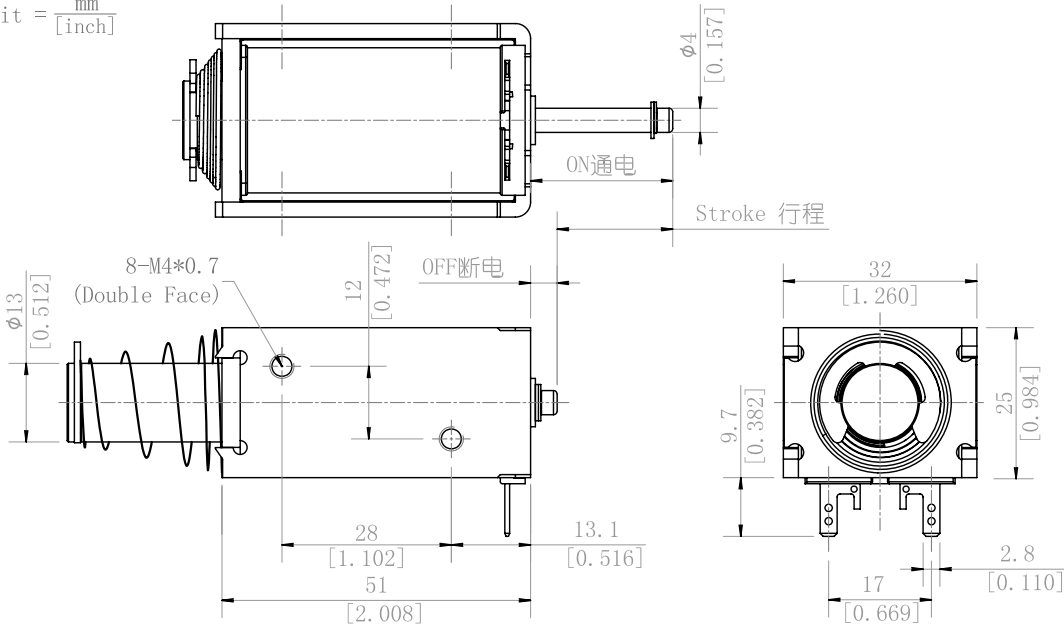
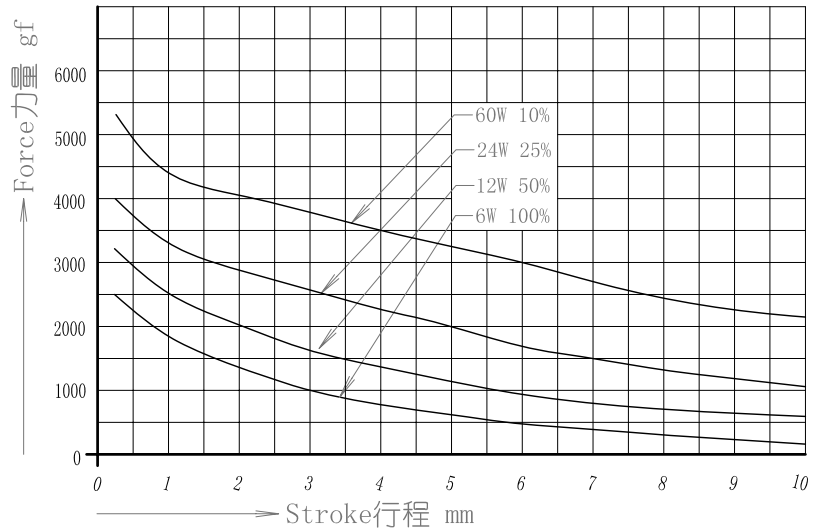


Unit =  $\frac{\text{mm}}{[\text{inch}]}$



Total weight 总重量 : 210g  
Plunger weight 滑杆重量: 53g



| Duty cycle 负载周期 = 100% × $\frac{\text{On Time 通电时间}}{\text{On Time 通电时间} + \text{Off Time 断电时间}}$ | 100%                | 50%               | 25% | 10%  |
|---|---------------------|-------------------|-----|------|
|   | Continuous 连续通电     | Intermittent 间歇通电 |     |      |
| Max On time/S 最长通电时间/秒  | ∞                   | 140               | 50  | 9    |
| Power 功率 (20°C)   | 6                   | 12                | 24  | 60   |
| Part Number 产品型号 (** : Resistance 电阻 Ω)   | Resistance Ω (20°C) |                   |     |      |
| SD0-1351S-06A**   | 6                   | 3                 | 1.5 | 0.6  |
| SD0-1351S-12A**   | 24                  | 12                | 6   | 2.4  |
| SD0-1351S-24A**   | 96                  | 48                | 24  | 9.6  |
| SD0-1351S-48A**   | 384                 | 192               | 96  | 38.4 |

Shenzhen Zanty Electronics Co.,Ltd.

Add: C2&A2 building, Jihua Industry District, Buji Town, Shenzhen, China P.C.: 518112

Tel.: (+86 755) 2854 3752

Fax: (+86 755) 2854 3458

E-mail: Sales@Zanty.com

Website: www.zanty.com